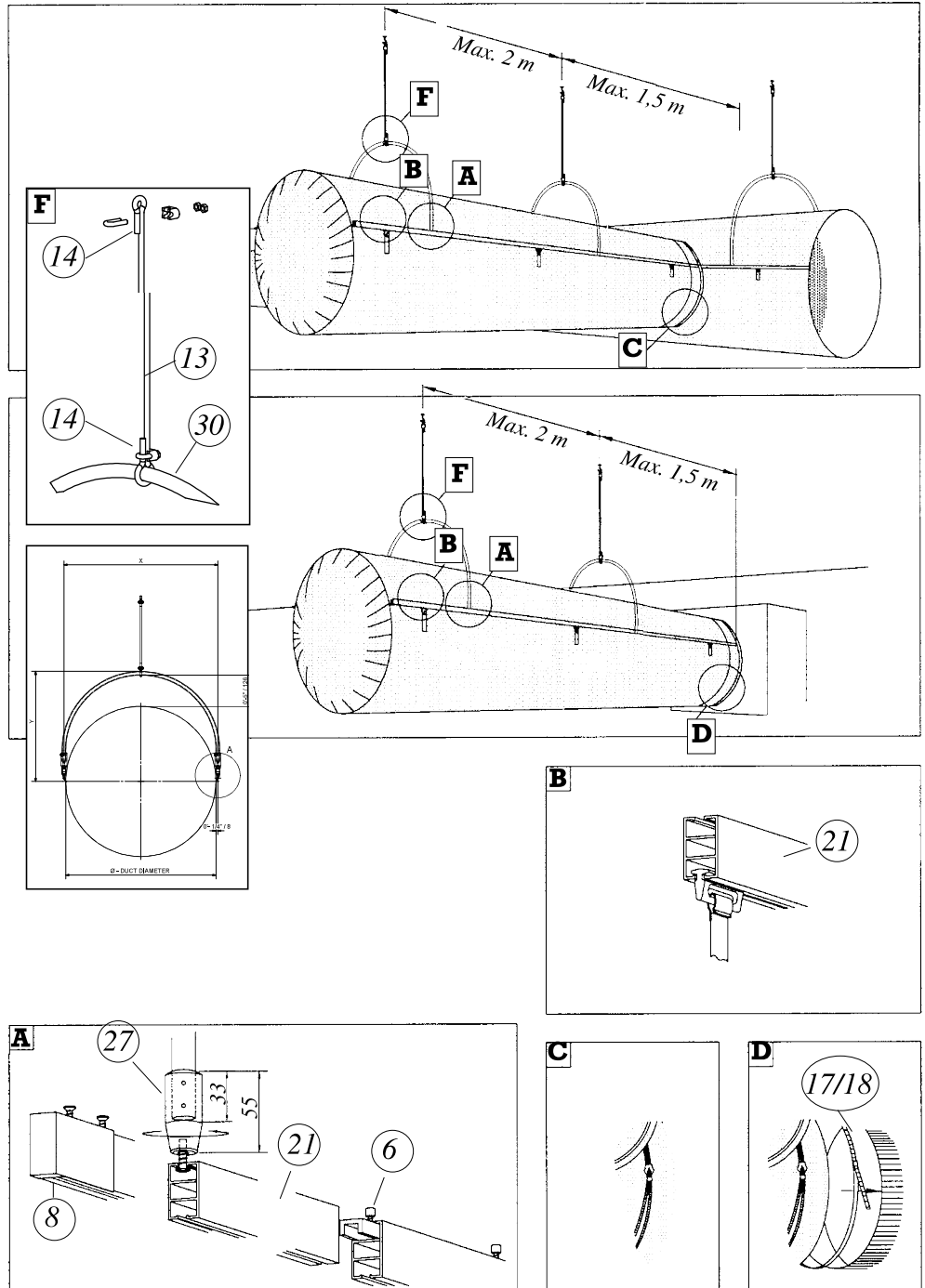


# Installation

## Type:

**13**

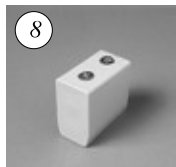
*min/lin.m*



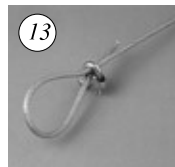
### Standard



Joint for H-rail



End cap H-rail



Wire



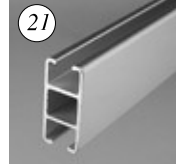
Wire lock



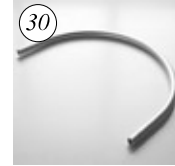
Fixing strap  
No. 17 - max. dia.500 mm  
No. 18 - dia > 500 mm



Fastener tube

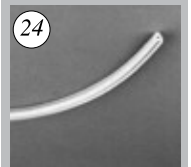


H-rail



Hoop

### Optional



Top profile for H-rail